



18 / 07 / 2023

**INVITATION TO BID AND GENERAL CONDITIONS OF TENDER**

1. The Vice Chancellor of the General Sir John Kotelawala Defence University, as the Chairman, Department Procurement Committee invites Bid/s from prospective Bidders for supply of items listed in the schedule in Annex "A". The relevant specifications of the items are indicated in Annex "B".

2. **CLOSING DATE & TIME.** The tender will close at 1000 hrs on 25 /07 /2023. Any Bid submitted after the closing time of the tender will be rejected & unopened such bids will be returned to the bidder.

3. **VALIDITY OF BID.** The bid submitted under this tender must be valid for a minimum period of 49 days from the date of closing of tender.

4. (a) **BID BOND / GUARANTEE.** If the quoted bid value exceeds Rs: 2,000,000.00, such Bids should be accompanied with 1% of Bid Value an "on demand" and "unconditional" Bid Bond/Guarantee for a sum of Rs: ..... in the format given in Annex "C" through a recognized local Bank or Insurance Company registered in Sri Lanka which is authorized by the Insurance Board of Sri Lanka to issue such Bid Guarantees. All Bid Bond/Guarantees should be valid for at least 30 days more than the validity period of bids, ie, for 60 days from the date of Bid opening. Cheques will not be accepted as Bid Guarantee.

(b) Submission of insufficient Bid Bond/Guarantee value or period will be considered as a "major deviation" and such offer will not be considered for further procurement action and will be rejected.

5. **VALUE ADDED TAX.** The Bidders who bid for locally delivered items must have the VAT registration. The VAT portion must be shown separately in the price schedule in Annex "A" and VAT registration number must be indicated. If the quoted item is exempted from VAT or Bidding Company is not liable for VAT, reference number and date of relevant Act number/Gazette notification/a certificate (as applicable) issued for the current financial year from the Commissioner General of Inland Revenue to that effect should be submitted along with the Bid.

6. **BID SUBMISSION.** The bidder must duly sign at the last page (before Annexes) of this document indicating the name of the signatory and the name of the company & place the company common seal to confirm the acceptance of tender conditions. The Bid/s that do not include authorized signature will be rejected. The Bid/s duly signed by the bidder enclosed and sealed in an appropriate cover addressed to the following address should be sent by registered post or could be deposited in the appropriate tender box placed at General Sir John Kotelawala Defence University, Southern Campus, Nugegalayaya, Sewanagala (at the Main Entrance of General Sir John Kotelawala Defence University Southern Campus) on or before the time & date specified for the closing of tender. The tender reference number, date & time of closing tender should be indicated & underlined at the top left corner of the envelop.

Tender Ref No ..... :

Closing Date & Time : .....

The Chairman,  
Department Procurement Committee,  
General Sir John Kotelawala Defence University,  
Southern Campus,  
Sri Lanka.

7. The Bid/s must be submitted in the attached schedule of prices in Annex "A" as applicable. However, bidders could use similar formats prepared with their own letter heads with all the details mentioned therein and submit in three copies along with duly signed copy of a General Conditions of tender. The Bid/s must contain **Technical Literature, Pamphlets, Drawings and Quality Standard Certificate etc** necessary to determine characteristics of items offered and in case of Machinery/Vehicles & Equipment, servicing and workshop data/after sales service, back up facilities or any other facilities provided by the supplier.

8. **SUBMISSION OF SAMPLES/PAYMENT OF TESTING CHARGES.**

When it is required to submit samples, every offer must be accompanied with pre - marked samples. The marking of samples indicating the Bidder & Offer number must be done and the samples must be handed over to the officer at same place where tender box is placed on or before the closing date & time of the Bid. Samples submitted after closing time of the Bid will be rejected. The documents such as Air Way Bills etc, will not be accepted in place of samples. When the testing charges are required to be paid, bidders shall pay testing charges separately for all offers indicated in their bid/s.

(1) **Samples.** Please submit ..... Samples.

(2) **Testing Charges.** A sum of Rs. .... per offer must be paid to the Bursar of KDU, prior to the submission of bid and a copy of the receipt must be annexed to the bid. It is the responsibility of bidder to inform the Cashier of the Account Office to note the tender number on the receipt issued for such payments.

9. **BID OPENING.** All duly received bids will be opened immediately after the scheduled closing time of Bids at



10. **PRICES.**

For locally delivered items (including locally manufactured items & foreign items imported by the bidders) price must be quoted in Sri Lankan Rupees, inclusive of all charges for delivery of items to General Sir John Kotelawala Defence University Ratmalana, Faculty of Allied Health Science (FAHS) Werahera and University Hospital Werahera or Southern Campus Sooriyawewa. **Unit price, VAT and Total price should be clearly indicated in schedule in Annex "A"**. Other than VAT, all other type of taxes (eg : NBT, BTT, etc.) should not be indicated separately and should be included in unit price.

11. **RESTRICTED TENDERS.** Invitation to Bids are circulated among the registered suppliers with Ministry of Defence (MOD), only bids submitted by registered suppliers will be allowed for consideration. However, Chairman, Department Procurement Committee reserves the right to invite the bids from multiple combinations of Procurement Methods as stipulated in Chapter III of the Government Procurement Guideline, 2006 to ensure highest competitiveness.

12. **PERFORMANCE BOND/GUARANTEE.** A successful bidder shall furnish a Performance Bond/Guarantee in the form of "On Demand" & "Unconditional" Bank/Insurance Guarantee for a sum equivalent to 10% of the contract value for every contract that exceeds Rs. 2,000,000.00 or equivalent amount in foreign currency through a recognized Commercial Bank registered in Sri Lanka or through an Insurance Company authorized by the Insurance Board of Sri Lanka to issue such Performance Guarantee for this purpose, **within two weeks from the date of notification of award**. The proceeds of the Performance Bond/Guarantee shall be payable to the Vice Chancellor of the General Sir John Kotelawala Defence University as compensation for any loss resulting from the supplier's failure to complete his performance obligations under the contract. If the contracted supplier fails to deliver the items on time or fails to complete the works as per the agreed contract, **THE TOTAL VALUE OF THE PERFORMANCE BOND/GUARANTEE** will be forfeited. If only partial delivery is made during the agreed contract period, the corresponding value percentage of undelivered quantity from the Performance Bond/Guarantee will be forfeited.

13. **SIGNING OF CONTRACT.** The notification of award will be transmitted to the successful bidder by post, by fax or e-mail. This notification constitutes the formation of the contract. The successful bidder should submit his written acceptance for the award and performance bond / guarantee (For awards over Rs. 500,000.00 without VAT) within 14 days of receipt of such notification. Upon acceptance of the award and furnishing of the Performance Bond/Guarantee, the successful bidder will have to enter into a formal contract with the Vice Chancellor of the General Sir John Kotelawala Defence University by signing the Contract.


14. **DELIVERY.** Preference will be given for early delivery. In case of bulk supplies for locally manufactured items, the delivery of **total quantity must be completed within 60 days of signing of contract**, unless mutually agreed for extended delivery period with General Sir John Kotelawala Defence University. **The bidder/s must indicate the proposed delivery schedule in Annex "D"**. In the event of placing a purchase order with the successful bidder, the total quantity so ordered must be supplied as one consignment unless part deliveries are agreed upon in the contract. The deliveries not made as per agreed delivery schedule will be considered as bad performances by the suppliers and **no extended delivery period will be authorized**. Under extreme unavoidable conditions too, the Chairman, Department Procurement Committee (Vice Chancellor of the General Sir John Kotelawala Defence University) reserves the right to grant or refuse delivery period extensions only within the current financial year with or without liquidated claim for delayed deliveries and that decision will be final.

15. **LIQUIDATED DAMAGES.** In case of delivery period extensions requested by the successful bidder, a sum equivalent to 1% of the total value of the delayed supply per delay of one week or part thereof may be deducted from the payment due to the supplier from the General Sir John Kotelawala Defence University as liquidated damages up to the maximum limit of 12% of the total value of delayed supplies.

16. **PAYMENT TERMS FOR LOCALLY DELIVERED ITEMS.** Payment will be made after acceptance of items which should be subjected to a pre-acceptance inspection/testing by General Sir John Kotelawala Defence University authorities. The delivery made to the General Sir John Kotelawala Defence University should not be considered as quantities taken over by General Sir John Kotelawala Defence University until items are properly accepted after pre-acceptance inspection. Any item that does not conform to the specifications or already approved sample will be rejected & it is the responsibility of the supplier to remove them from General Sir John Kotelawala Defence University stores/premises within 07 working days of such intimation (either verbal or written) at his own cost and replace them with items conforming to specification within one month of such rejection. The bidder shall allow approximately 45 days period of credit from the date of acceptance of items for Account Office, General Sir John Kotelawala Defence University to obtain liquid cash from General Treasury & release the payment.

17. **RIGHTS OF THE PROCUREMENT COMMITTEE.** The Department Procurement Committee reserve the right to accept or reject whole or part of this tender and their decision will be final. The successful bidders will be notified. Information with regard to rejected or unsuccessful bids will not be communicated.

Thanking You,  
Yours faithfully,

For   
Procurement Officer  
For Vice Chancellor  
General Sir John Kotelawala Defence University

Procurement Officer  
Southern Campus - KD  
Nugegala  
Sewana

**SCHEDULE OF PRICES FOR LOCALLY DELIVERED ITEMS****SUPPLY, FABRICATION & FIXING OF SECOND FLOOR BALCONY HAND RAIL (GRID 04 TO 10, BACK SIDE ONLY) FOR OFFICER CADET MESS AT KDU SOUTHERN CAMPUS**

S/N	ITEMS	DENO	QTY	PRICE EACH SLRS	TOTAL PRICE
	Please see attached list				
	<b>Sub Total 1</b>				
	<b>10 % Contingencies</b>				
	<b>Sub Total 2</b>				
	<b>Discount</b>				
	<b>Sub Total 3 After Discount</b>				
	<b>VAT 15 %</b>				
	<b>GRAND TOTAL</b>				

1. Country of Manufacture :-.....
2. Brand Name :-.....
3. VAT Registration No :-.....  
(VALUE ADDED TAX PERMANENT REGISTRATION CERTIFICATE /VAT EXEMPTION LETTER ISSUED BY DEPARTMENT OF INLAND REVENUE TO BE ATTACHED)
4. Warranty Period:-.....
5. Delivery Schedule :-.....
6. Payment Terms :- **Credit**
7. MOD registered No :-.....
8. Name of the Company/Bidder :- .....
9. Address of the Company/Bidder :-.....
10. E-Mail address of the Company/Bidder :-.....
11. Phone Number of the Company/Bidder :-.....
12. Date :-.....
13. Authorized person Signature of Company/Bidder :-.....
14. Stamp of Company/Bidder :-.....

**I/We agree to abide by the condition No 01-17 of bidding invitation and undertake to supply the items as per delivery schedule mentioned in the contract, in the event of an order been placed with me/my firm/company as a result of this tender.**

..... Signature

..... Name of Signatory

.....Name of the Company/Bidder

Date :- .....

Company seal



SPECIFICATION SHEDULE

EXTRA SPECIFICATION: Yes

BOQ FOR SUPPLY, FABRICATION AND FIXING OF SECOND FLOOR BALCONY HAND RAIL  
(GRID 04 TO 10 , BACK SIDE ONLY) FOR OFFICER CADET BUILDING AT KOTALAWELA  
DEFENCE UNIVERSITY (S-C)

ITEM No.	DISCRIPTION	UNIT	QTY	RATE	AMOUNT
01	The tenderer is advised to examine drawing and visit/inspect the site which is situated at Nugegalayaya kiriibbanara sewanagala and surrounding condition such as supply and storage of materials, employment of labour using of plant/ equipment, execution of work in etc. No claim for extras will be allowed for errors and commissions arising from his failure to satisfy him self. All necessary information can be obtained from project Office Southern Campus KDU (TP - 0473628576).The cost of such site visit be borne by the tenderer.	Note			
02	Approval to be obtained for sample from the project Office Southern Campus KDU prior proceeding all the work.	Note			
03	Tenderer should have sufficient experience for similar type and capacity of work during last 5 years. And details should forward with bid other vise bid will be rejected	Note			
04	Payment are made on measure and pay basis	Note			
05	Required services such as water, electricity will be provided by KDU.	Note			
07	Tenderer Should arrange his own Accommodation for labours	Note			
08	All required tools, Equipment and Machineries to be arranged by the contractor.	Note			
09	Tenderer should arrange his own transport of materials, tools, equipment and machineries to site and return on completion.	Note			
10	Detailed shop drawings of metal work components to be approved prior to fabrication of same.	Note			
11	Must be ensured that all necessary inserts lugs etc, required for fixing metal work units, are embedded in accordance with the approved Shop Drawings.	Note			

GKI GAMAGE  
Lieutenant (CE) NRC 3697  
CIVIL ENGINEER  
SRI LANKA NAVY

- 12 Rate for metal work shall include for ;
- i. Supplying samples of materials & composite units for the approval ;
  - ii. Fixing to floor slabs, landings, steps or walls with approved fixing methods ;
  - iii. All inserts, lugs, brackets, anchors, screws etc compatible with the material & finish of the fabricated units;
  - iv. Preparation of surfaces of metal components to receive paint and treating exposed surface with anti-corrosive paint & finishing coats as specified ;
  - v. Protecting all metal work up to the date of handing over ;
  - vi. Making good, all work disturbed due to fixing of metal work units to the satisfaction.
  - vii. Preparing and submitted shop drawing as required.

Note

13 PAINTING AND DECORATING

Note

- All paint and painting materials shall be approved manufacture and shall be of the same line of product.
- a. The contractor must ensure that surfaces to be painted are approved before prime coat or initial coat is applied.
  - b. The quality of paint will be the responsibility of the Contractor.
  - c. Colour and the quality of all paint and other painting materials shall be approved by the Architect prior to use.
  - d. Rates for painting shall include for -
    - i. Preparation of surfaces, cleaning down, smoothing, etc ;
    - ii. Submission of samples for the approval of the Engineer ;
    - iii. Protection of floors, walls and fittings etc ;
    - iv. Working to returns, painting in any colour, multi-colour works, cutting into line at junctions of different colours at angles or plain surfaces, painting in small quantities;
    - v. Cleaning down upon completion
    - vi. repairing & submitting sequence of operation and revising same in the manner required by the Architect.

GKI GAMAGE  
Lieutenant (CE) NRC 3697  
CIVIL ENGINEER  
SRI LANKA NAVY



14	The colour to be approved by the architect prior to ordering.	Note		
15	Rate to be included the all materials, which necessary to complete the work successfully	Note		
16	Damages occurring to the adjacent properties during execution of work to be rectified by the contractor.	Note		
17	Safety of labours during work is a responsibility of the contractor.SL Navy will not hold any responsibility for any damages/injuries occurring to labours/machineries of the contractor during execution of work.	Note		
18	Bidder should be agreed to retain 5% of contract value as retention for one year of defect liability period	Note		
19	10 Year guarantee period commencing from the date of issuing completion certificate.	Note		
<b>A</b>	<b><u>OFFICER CADET BUILDING - SECOND FLOOR</u></b> <b><u>(Grid 04 - 10 back side only)</u></b>			
A-01	Supply, fabrication and fixing of 1050mm high balcony hand rails comprising with white color hexagon perforated cladding mesh fixed to the 25 x 25mm GI box iron frame as per drawing no. KDU-OC-DE-A-500-R0 With 100 x 50 mm GI box iron upper rail with enamel white painted. (As per ground floor balcony )	m	15.0	
	<b>A- SUB TOTAL CARRIED TO SUMMARY</b>			

  
**GKI GAMAGE**  
 Lieutenant (CE) NRC 3697  
 ENGINEER  
 INDIAN NAVY

SUMMARY

**Balcony rail work for officer cadet building**

**Sub Total - (A)** \_\_\_\_\_

Less Discount (If any)

a. On all rates (.....%)

b. Selected rate (.....%)

**Sub Total - II** \_\_\_\_\_

ADD 10 % CONTINGENCY

**Sub Total - III** \_\_\_\_\_

Total in words.....

ADD 15% VAT

TOTAL CARRIED TO FORM OF TENDER

Total in words (With VAT) .....

VAT Registration number.....

Date.....

.....  
Signature of bidder

.....  
Name and Address

Company Seal

Witness,

1 Signature .....

Name and Address.....

2 Signature .....


Name and Address.....

  
GKI GAM/GE  
Lieutenant (CE) NRC 3697  
CIVIL ENGINEER  
SRI LANKA NAVY



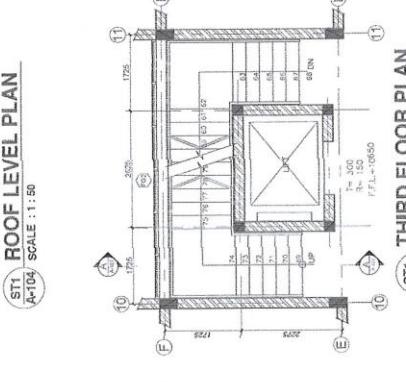
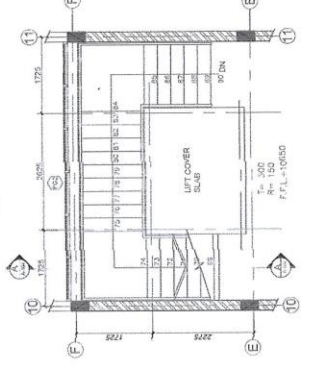
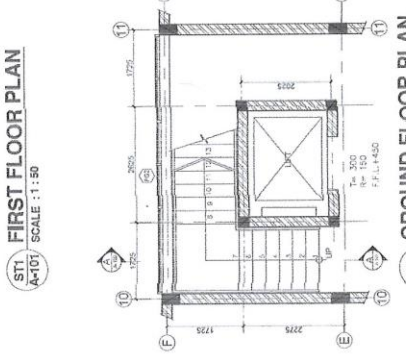
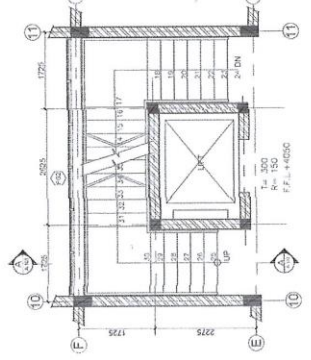
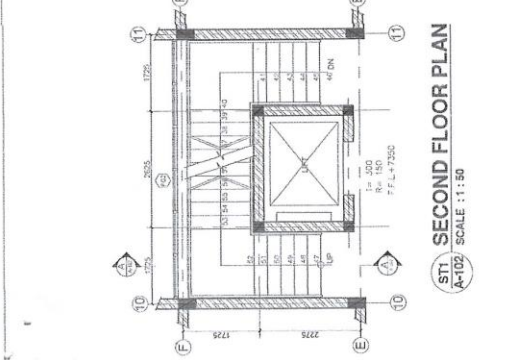
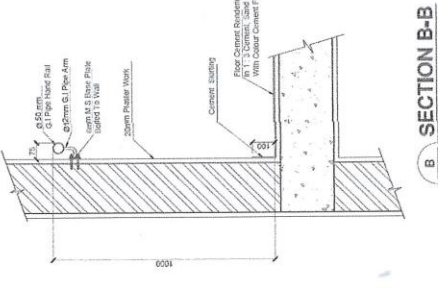
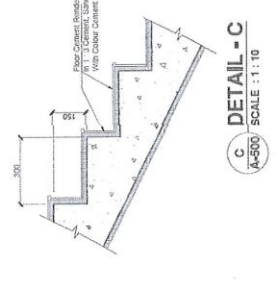
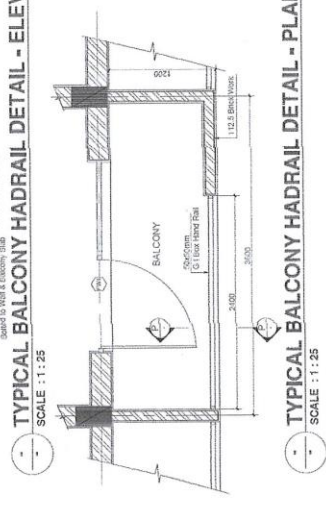
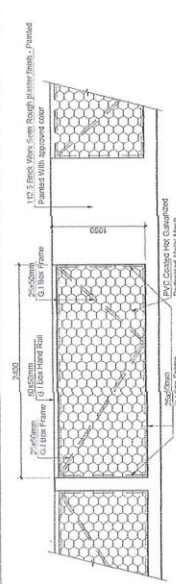
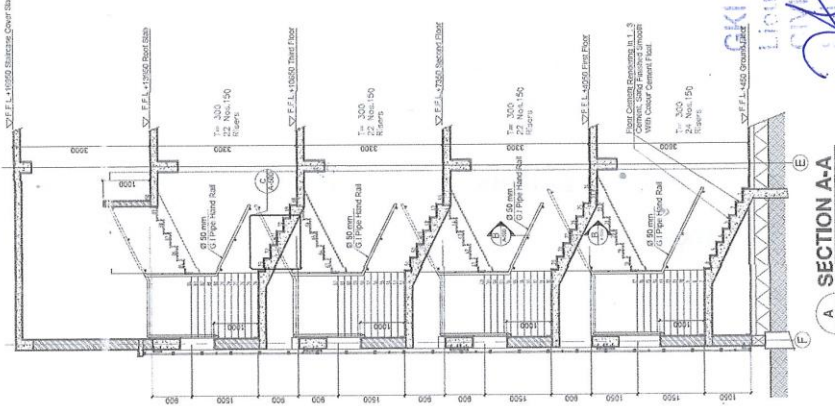
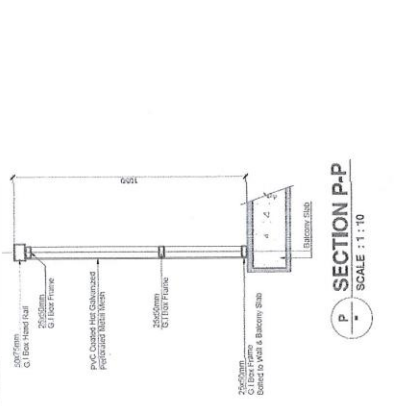
**FOLLOWING TO BE INCLUDED IN TENDER INVITATION**

- 01 Liquidated Damages shall be Rs. 1/1000 x Contract price per calendar day subject to maximum of 10% of contract sum
- 02 Retention shall be 10% of the value of work executed, subject to maximum 5% of contract sum.
- 03 Period of Maintenance shall be **12 months**
- 04 Project Duration - 10 calendar days
- 05 Payments are on measure and pay basis.

  
GKI GAMAGE  
Lieutenant (CE) NRC 3697  
CIVIL ENGINEER  
SRI LANKA NAVY



NO	REVISION	DATE



**SPECIMEN FORM OF BID SECURITY**

By this Bond we ..... (hereinafter called "the Bidder") and We (name of bank or insurance company) whose registered office is at ..... (hereinafter called "the Surety") are held and firmly bound onto ..... (hereinafter called the Authority") in the sum of ..... for the payment of which sum the Bidder and the Surety bind themselves their successors and assigns jointly and severally by those presents.

Whereas the authority has invited the Tender and other persons to compete tenders in similar terms for the supply of ..... and to submit the same for the consideration of the Authority, and the Bidder proposes to submit to the Authority a Bid (hereafter called "the Bid") in accordance with such invitation, the Bond shall provide security to the Authority that the Bidder will honour certain obligations to be undertaken by him in the Tender in accordance with the following conditions.

**Now the Conditions of this Bond are:**

- a. That it shall remain in full force and effect until the earliest of
  - i. (Date), being ( ) days from (submission date), the date stipulated by the Authority for the submission of tenders, or any prolongation of such date above notified to the Authority by the Bidder and the Surety in writing.
  - ii. In the event of acceptance of the Tender by the Authority, the date upon which the Bidder provides a performance security to the Authority in accordance with the terms of the contract thereby made between them, or
- b. Subject to this Bond being in full force and effect, the Surety shall pay the full amount specified in this Bond upon receipt of first written demand from the Authority stating that
  - i. The Bidder has withdrawn his Tender during the validity of this Bond, or
  - ii. The Bidder has failed to provide a performance security to the Authority in accordance with the terms of the tender within 14 days from receipt of intimation of award of the Tender.

No alteration in the terms of the Tender, nor any forbearance or forgiveness in or in respect of neither any matter or thing concerning the Tender on the part of the Authority, nor any objection from the bidder shall in any way release the Surety from any liability under this Bond.

The benefit of this Bond shall not be assignable by the Authority and upon its ceasing to be in full force and effect the Authority shall return the same to the Bidder.

This Bond shall be governed by the laws of Sri Lanka

I executed as a deed on this( ) day of( ) 20 ( )	
For and on behalf of the Bidder	For and on behalf of the Surety
-----	-----
-----	-----
Signed by -----	Signed by -----
In the capacity of -----	In the capacity of -----
and by -----	and by -----
In the capacity of -----	In the capacity of -----
Seal (where applicable)	Seal (where applicable)

**DELIVERY SCHEDULE**

(IT IS MANDATORY TO FILL THE FOLLOWING SCHEDULE BY THE BIDDER)

TENDER NO :

ITEM : .....

QTY : .....

<b>DURATION</b>	<b>QTY</b>
EX STOCK QTY (WITHIN 01 WEEK)	
01MONTH	
02 MONTHS	
03 MONTHS	
04 MONTHS	
<b>TOTAL</b>	

NAME OF THE BIDDER : .....

SIGNATURE OF BIDDER : .....

DATE : .....

COMPANY SEAL